



Installation Instructions for IUP004E To Suit Toyota Landcruiser 200

Underbody Protection Plate

Engine Bay



Model Year 2007-

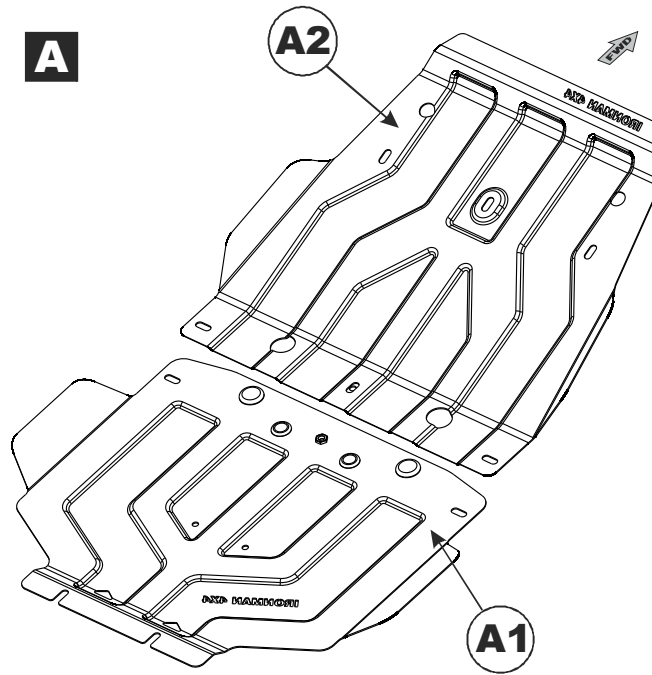
Part Number IUP004E



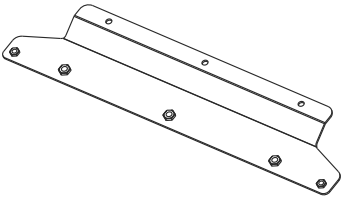
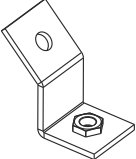
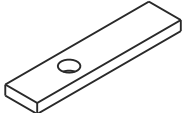

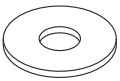
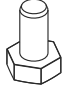
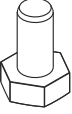
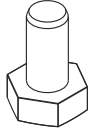
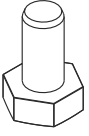
Weight 14.8Kg

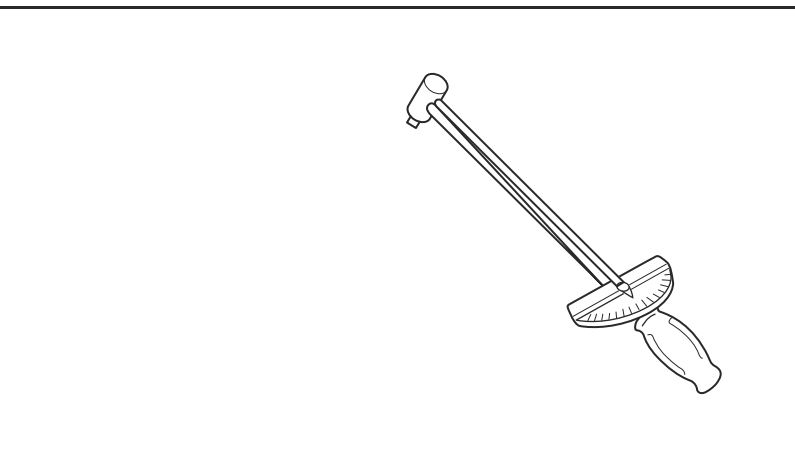
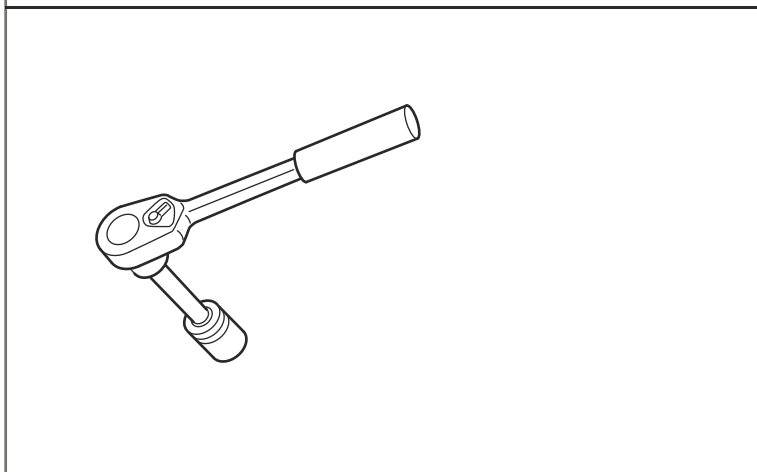


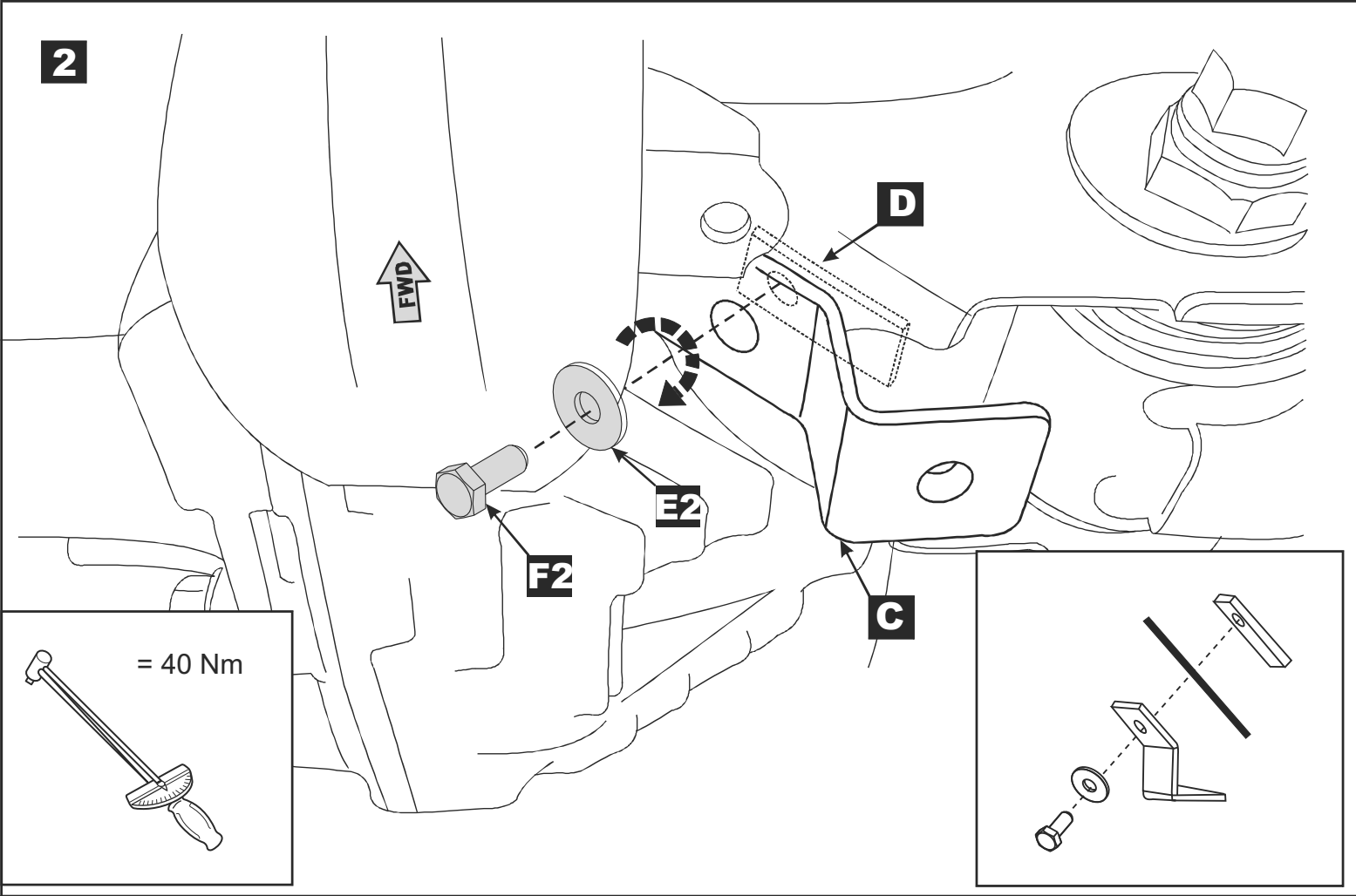
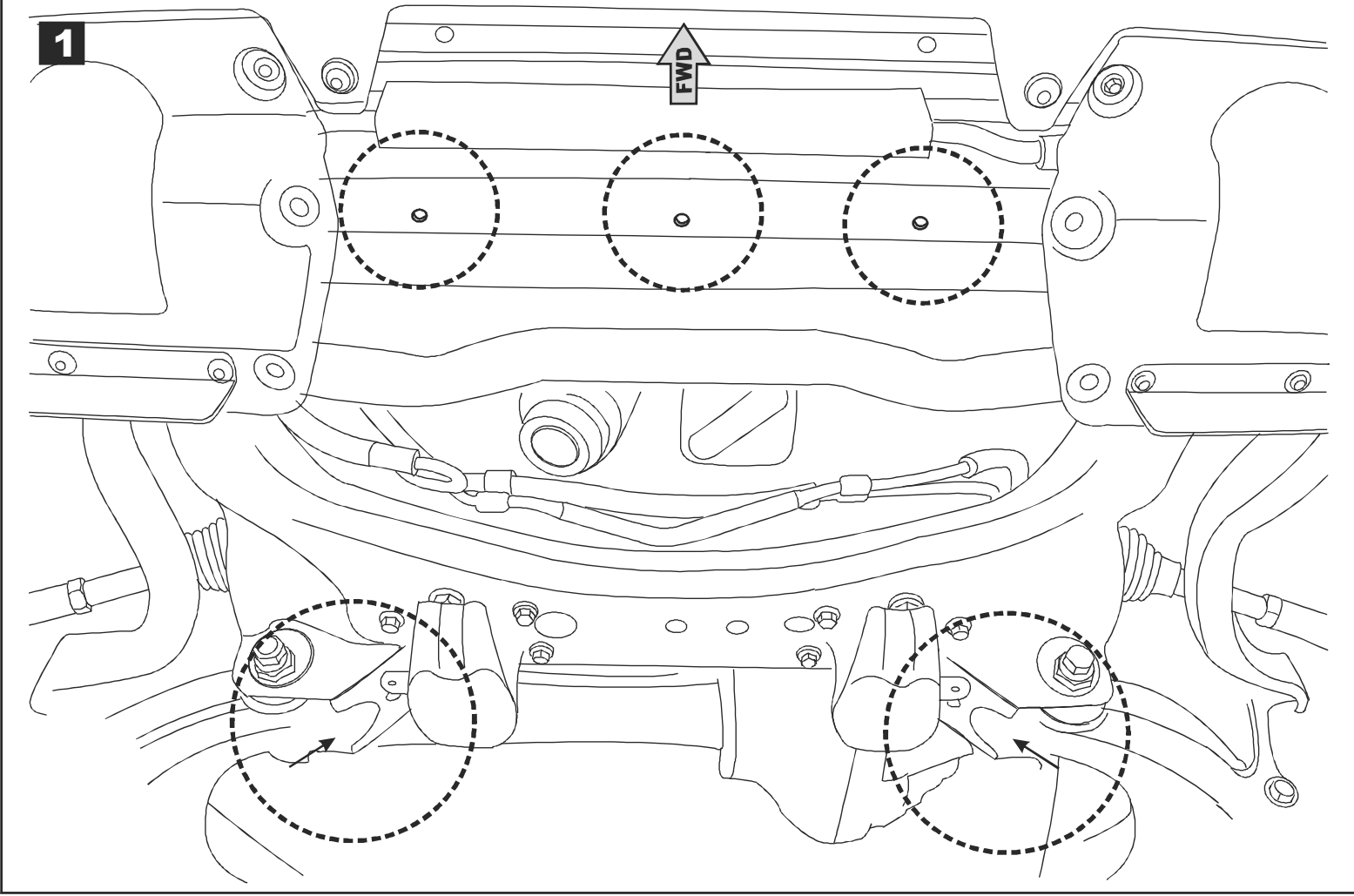
Installation Time 30min



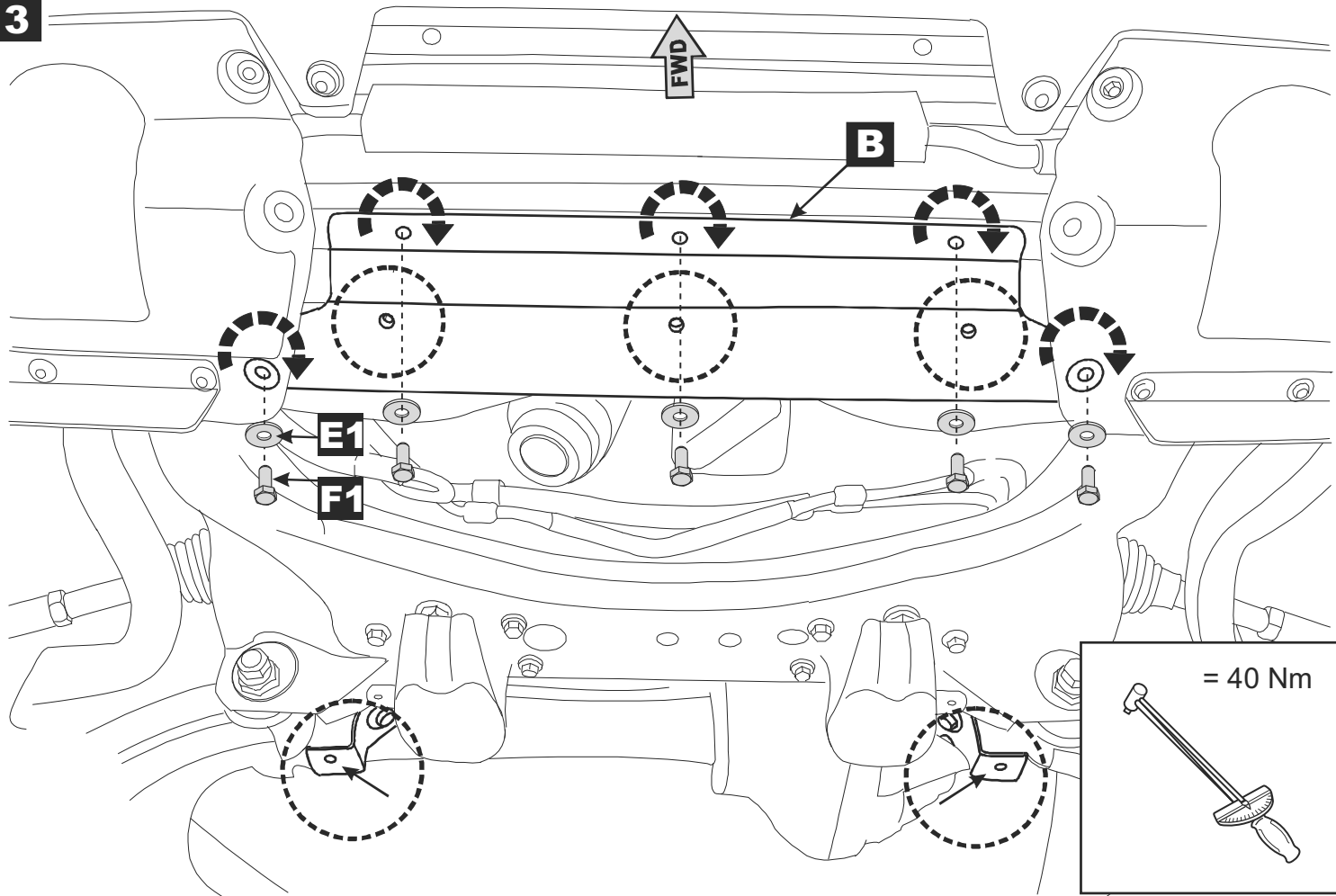
IUP004E

B  X1	C  X2	D  X2	E1  X2 Ø8	
E2  X10 Ø10	F1  2x M 8x20	F2  6x M 10x20	F3  2x M 10x30	F4  2x M 10x1.25x30

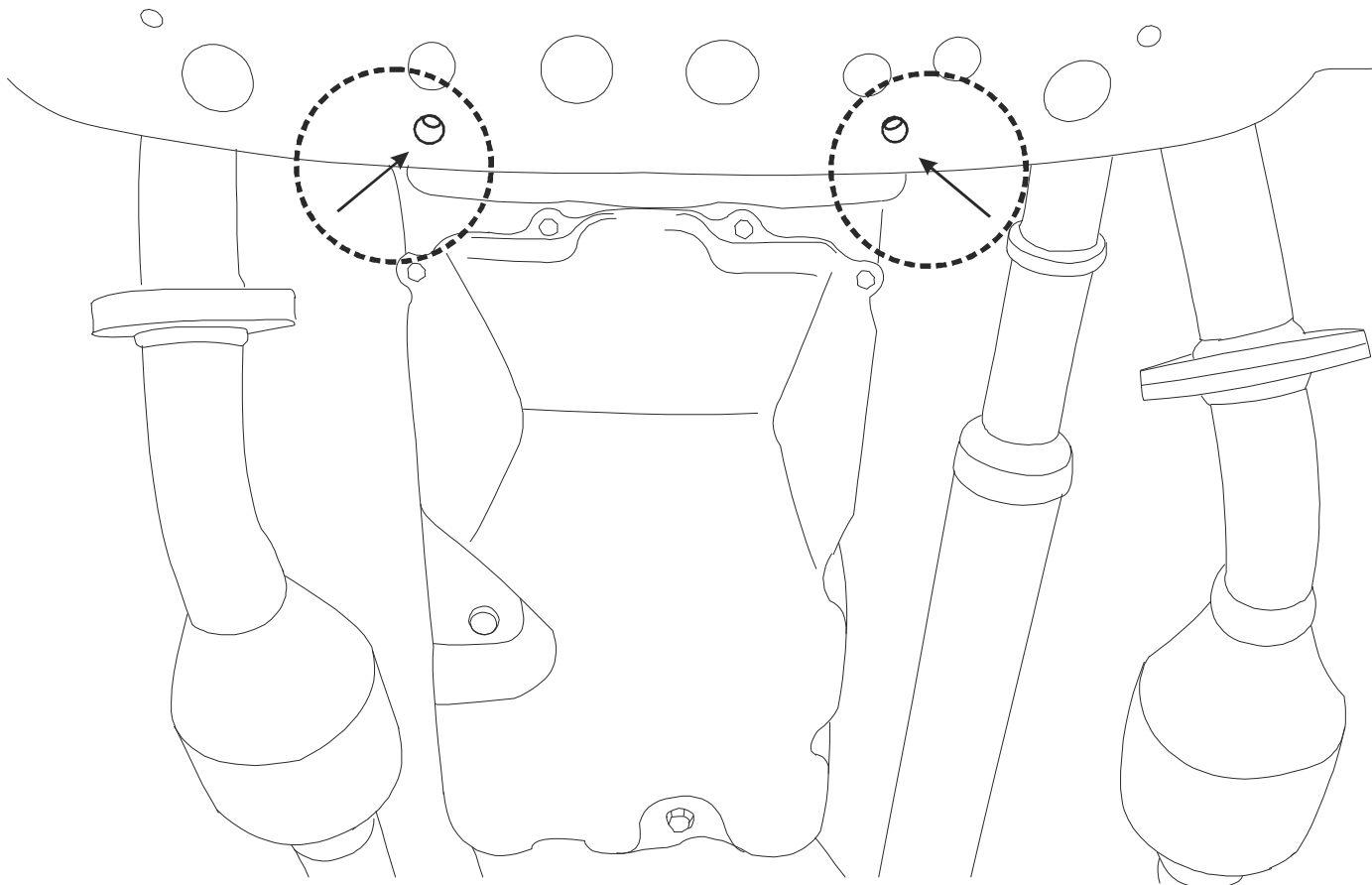




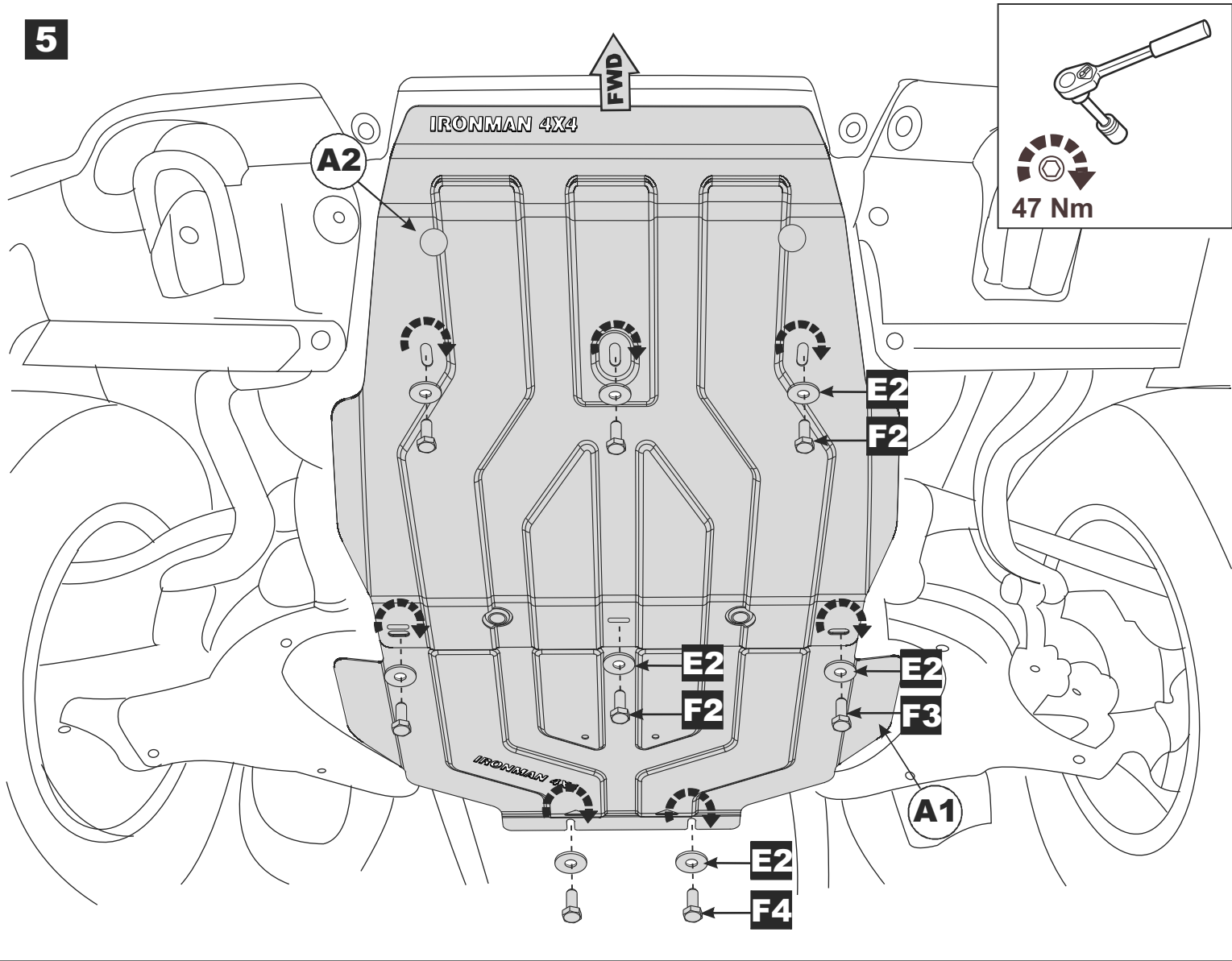
3



4



5



www.ironman4x4.com

Part number:
IUP004E

Page:
5/5



Installation Instructions for IUP004F To Suit Toyota Landcruiser 200

Underbody Protection Plate

Fuel Tank



Model Year

2007-

Part Number

IUP004F



Weight

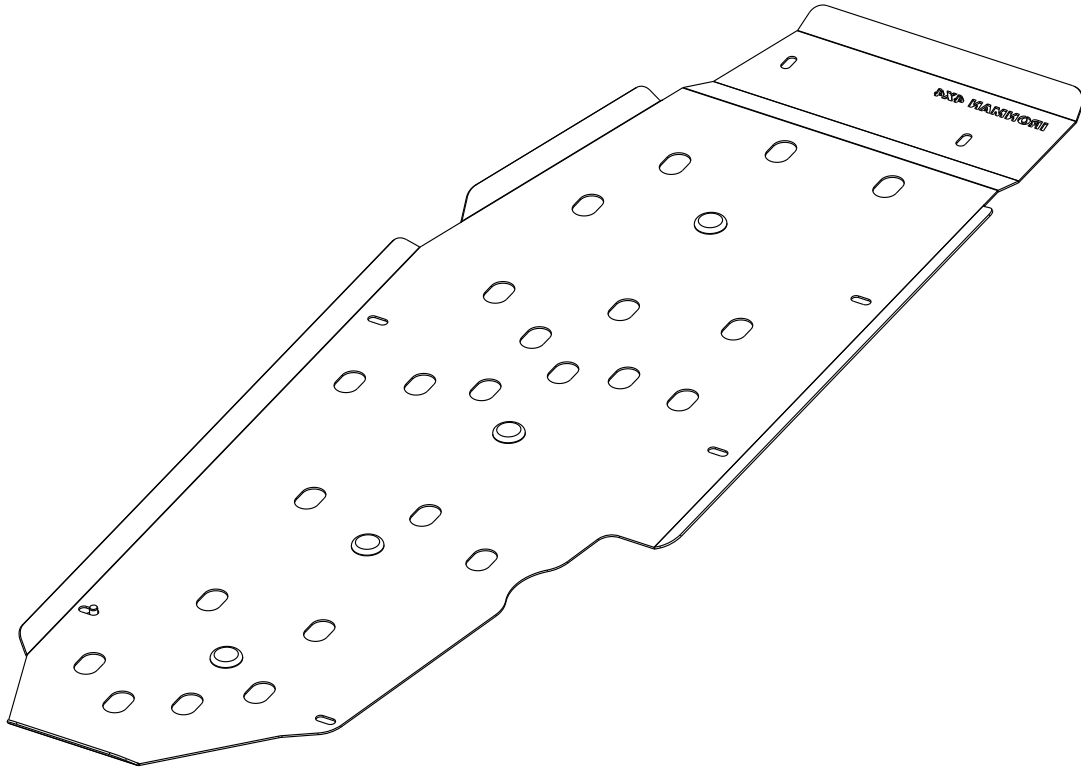
17.32 Kg



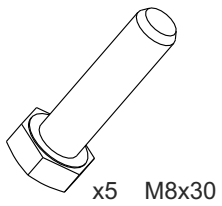
Installation Time

50min

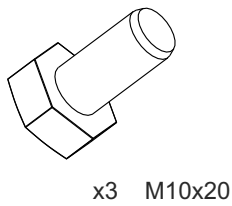
A



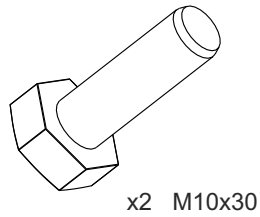
B1



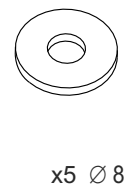
B2



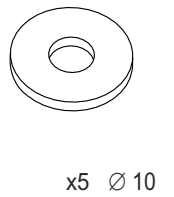
B3



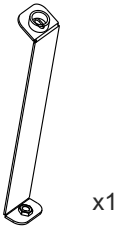
C1



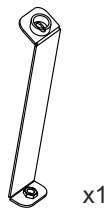
C2



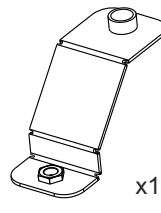
D



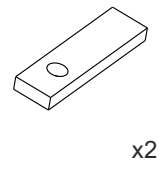
E



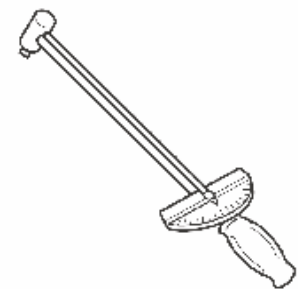
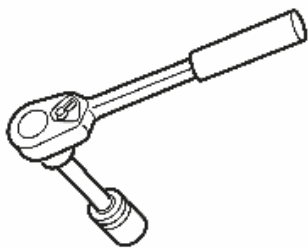
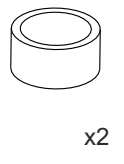
F



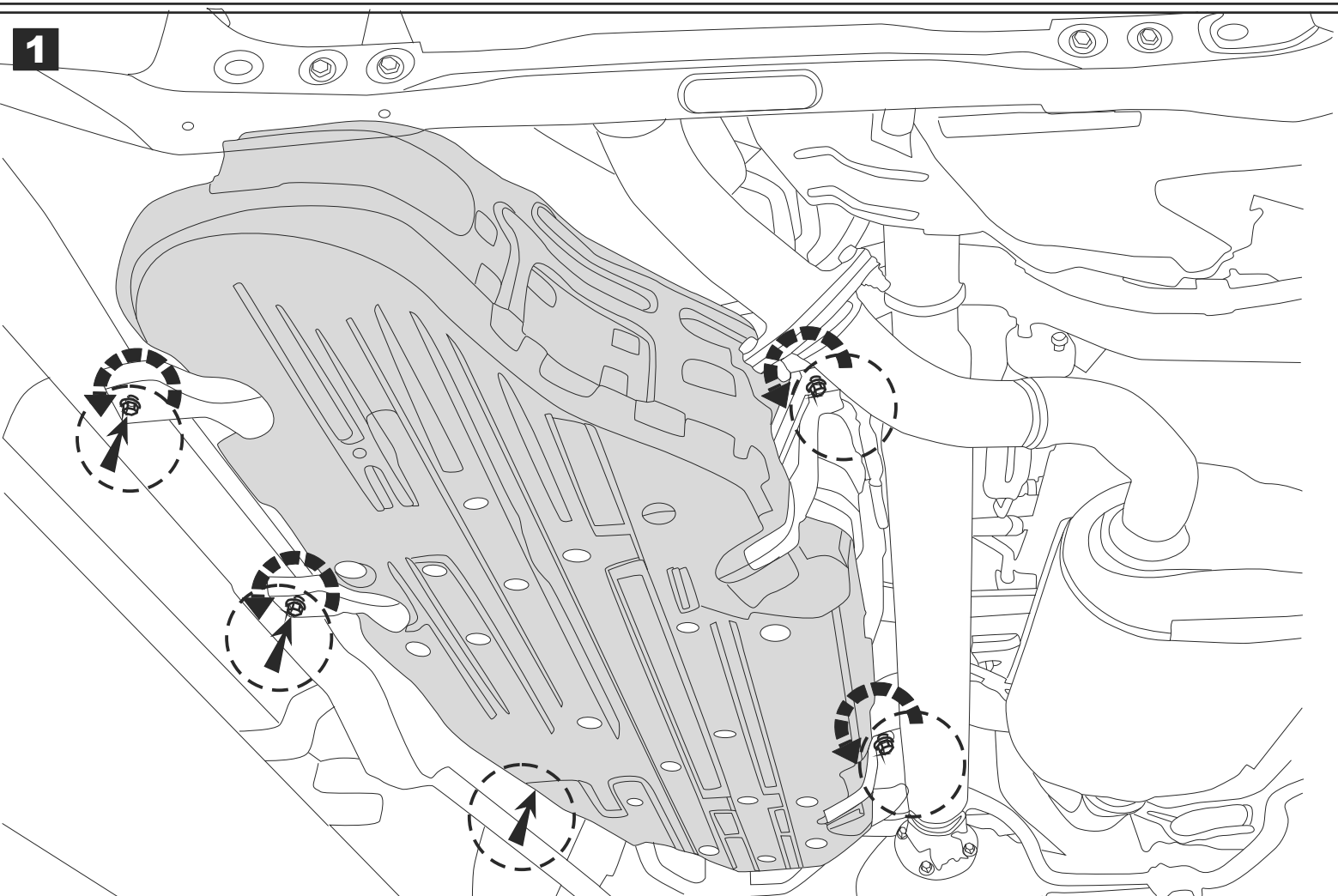
G



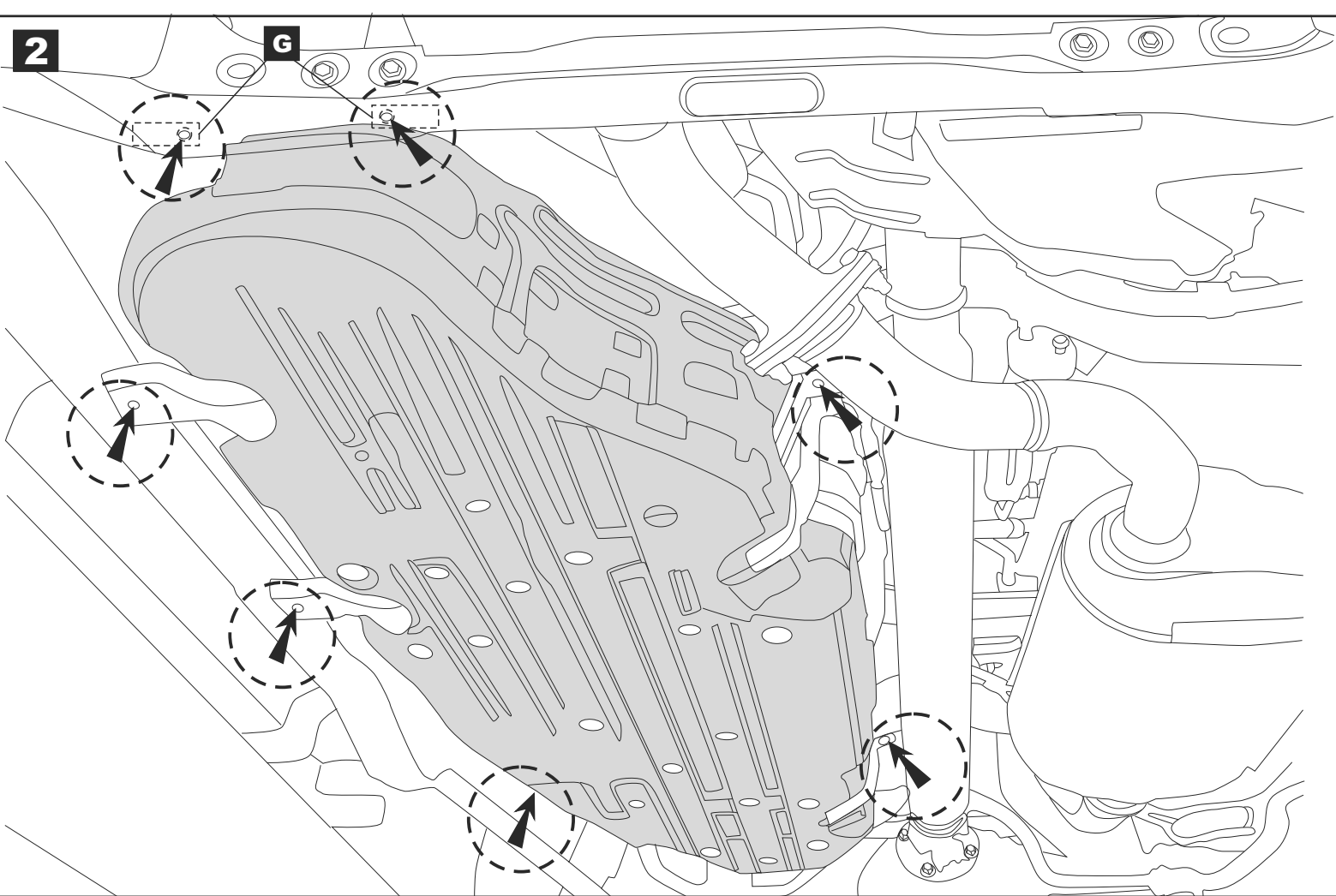
H



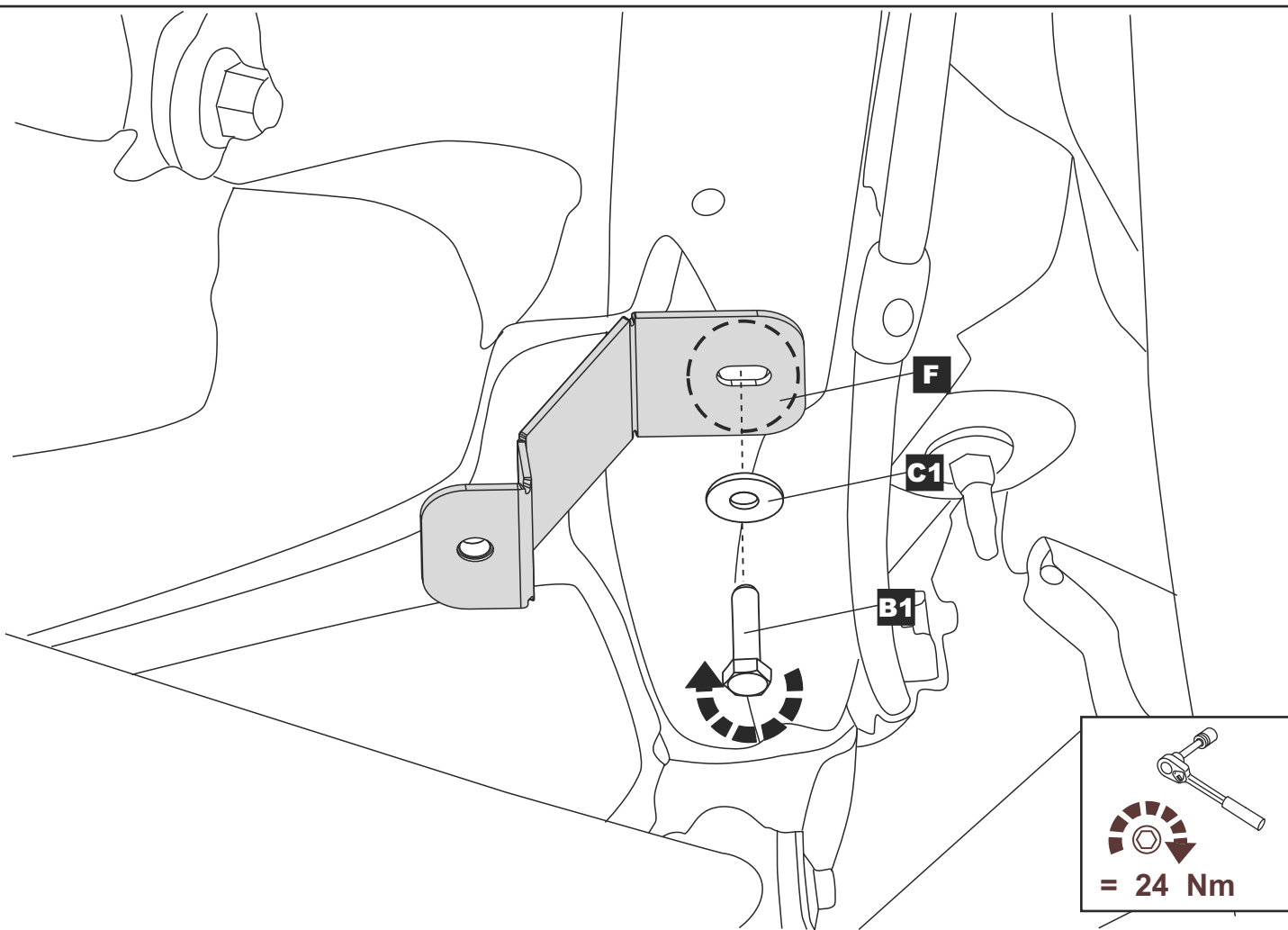
1



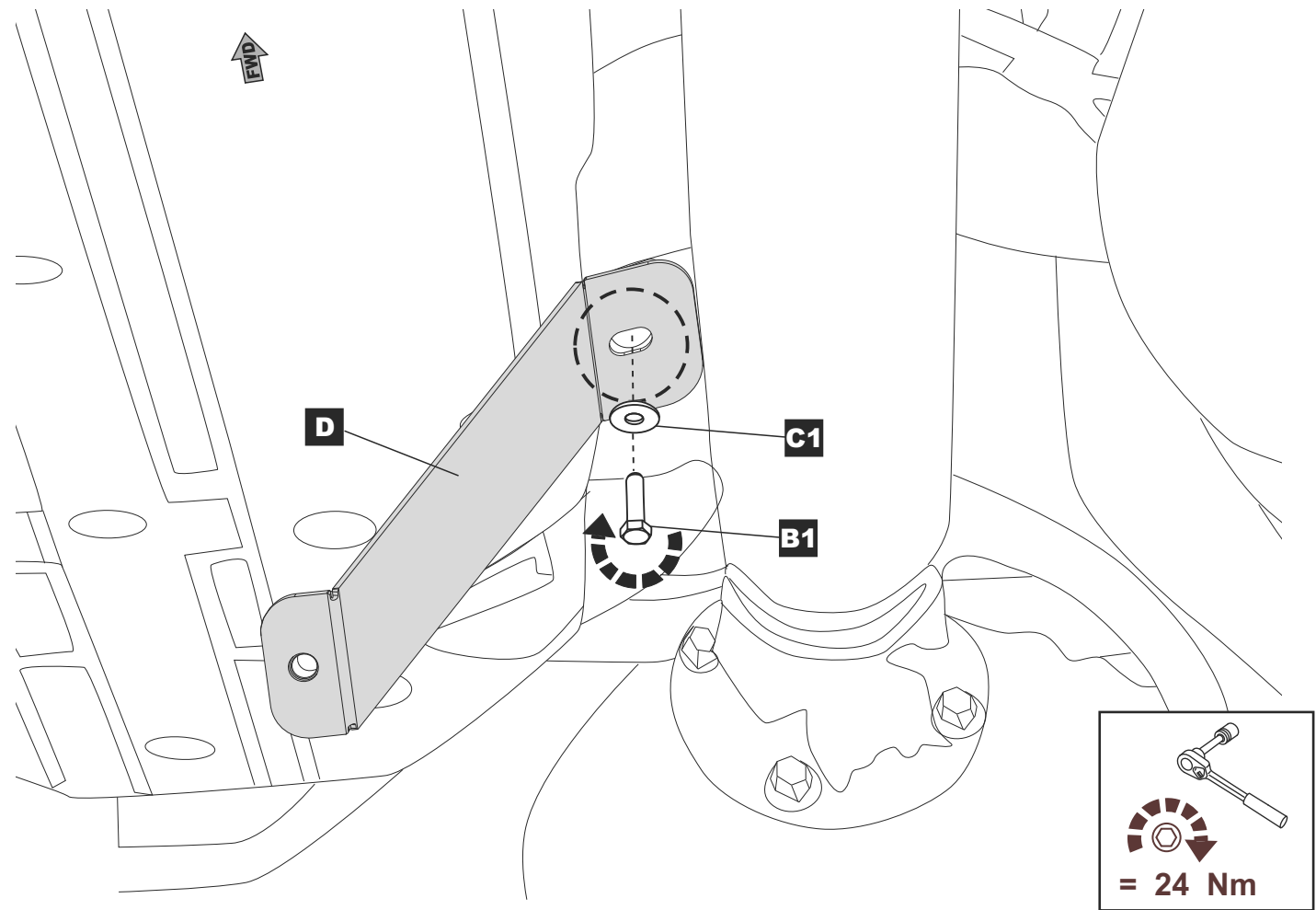
2



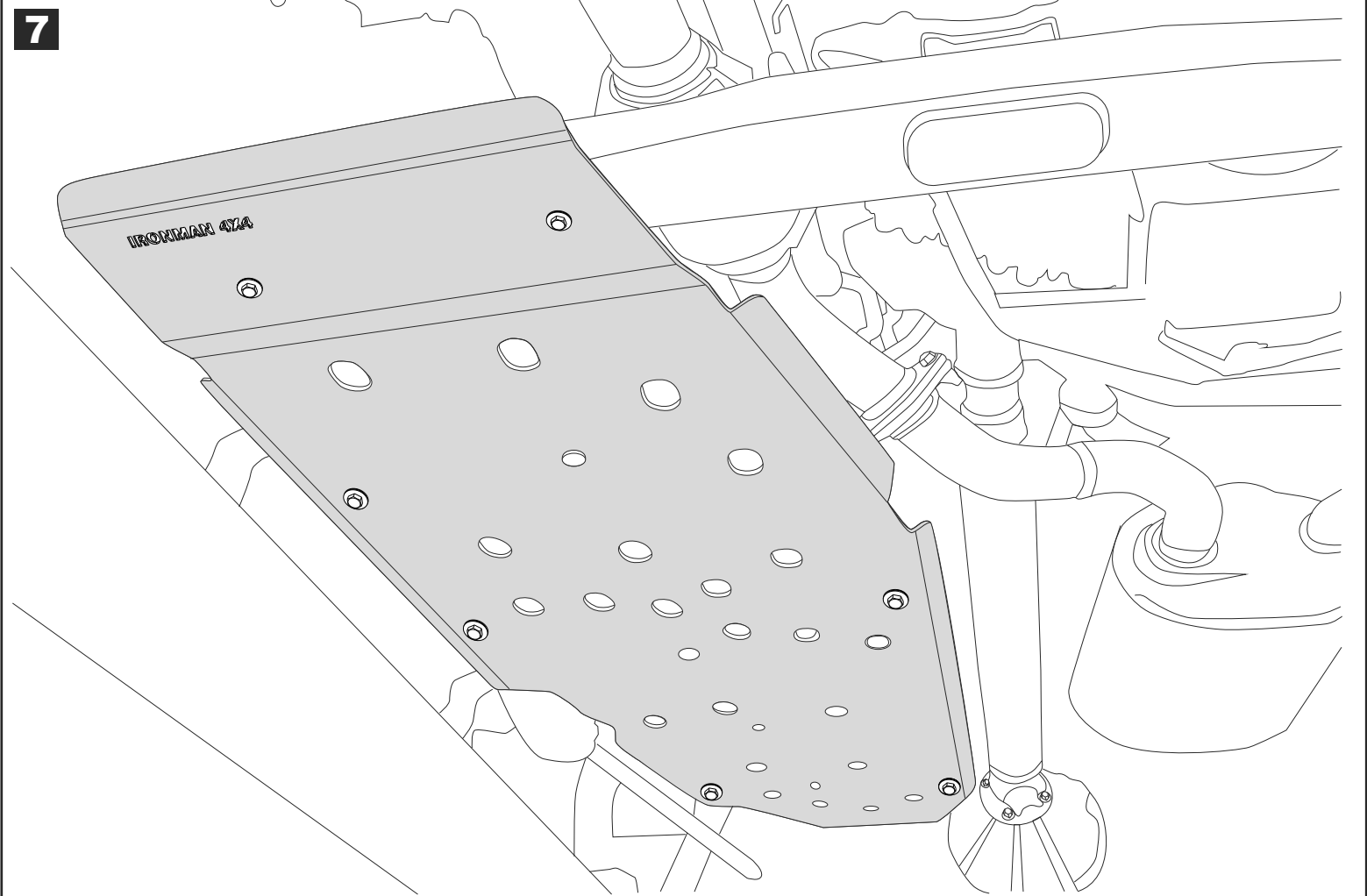
3



4



7



www.ironman4x4.com

Part number:
IUP004F

Page:
6/6



Installation Instructions for IUP004T To Suit Toyota Landcruiser 200

Underbody Protection Plate

Transmission



Model Year

2007-

Part Number

IUP004T



Weight

8.9Kg

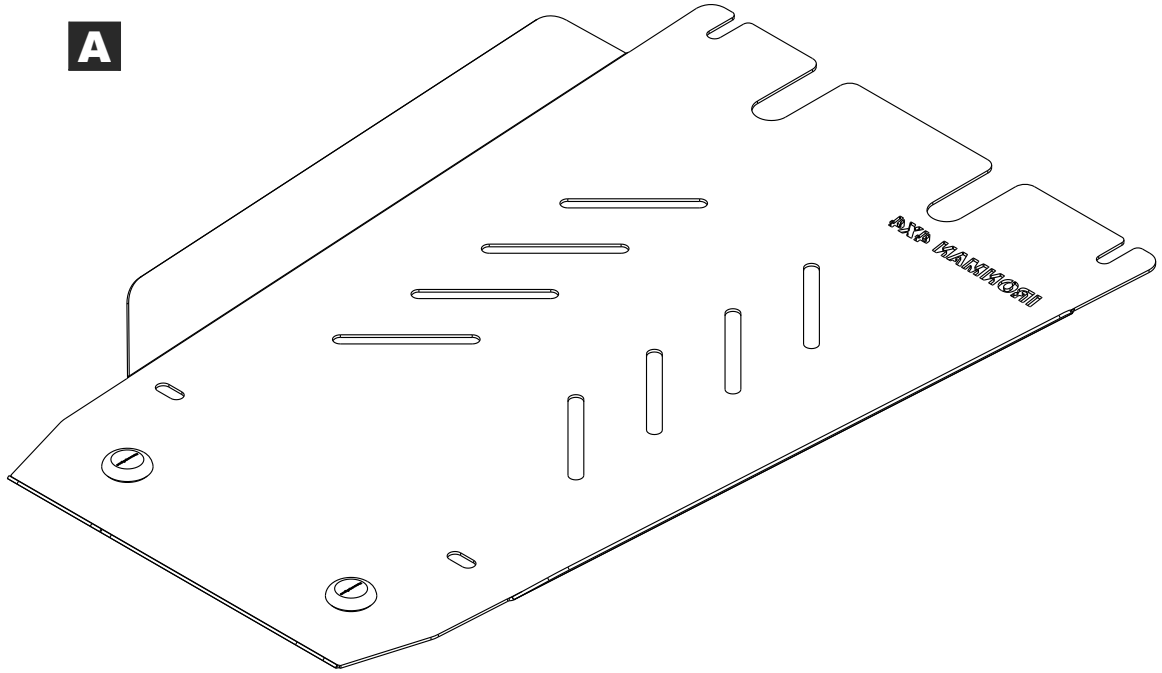


Installation Time

10min

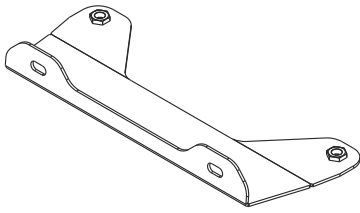
Part number: IUP004T

A



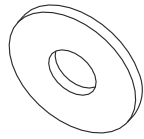
IUP004T

B



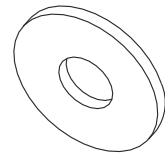
X1

C1



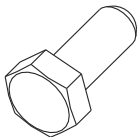
X2 \varnothing 8

C2



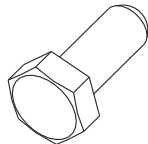
X2 \varnothing 10

D1

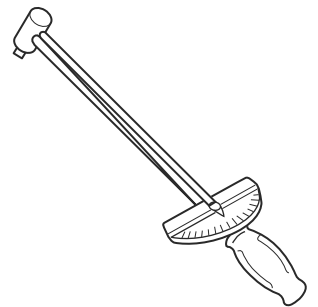
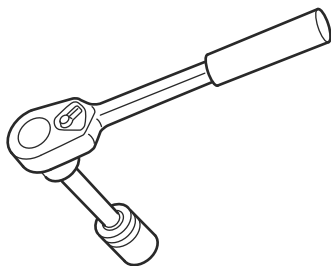


2 x M 8x 20

D2



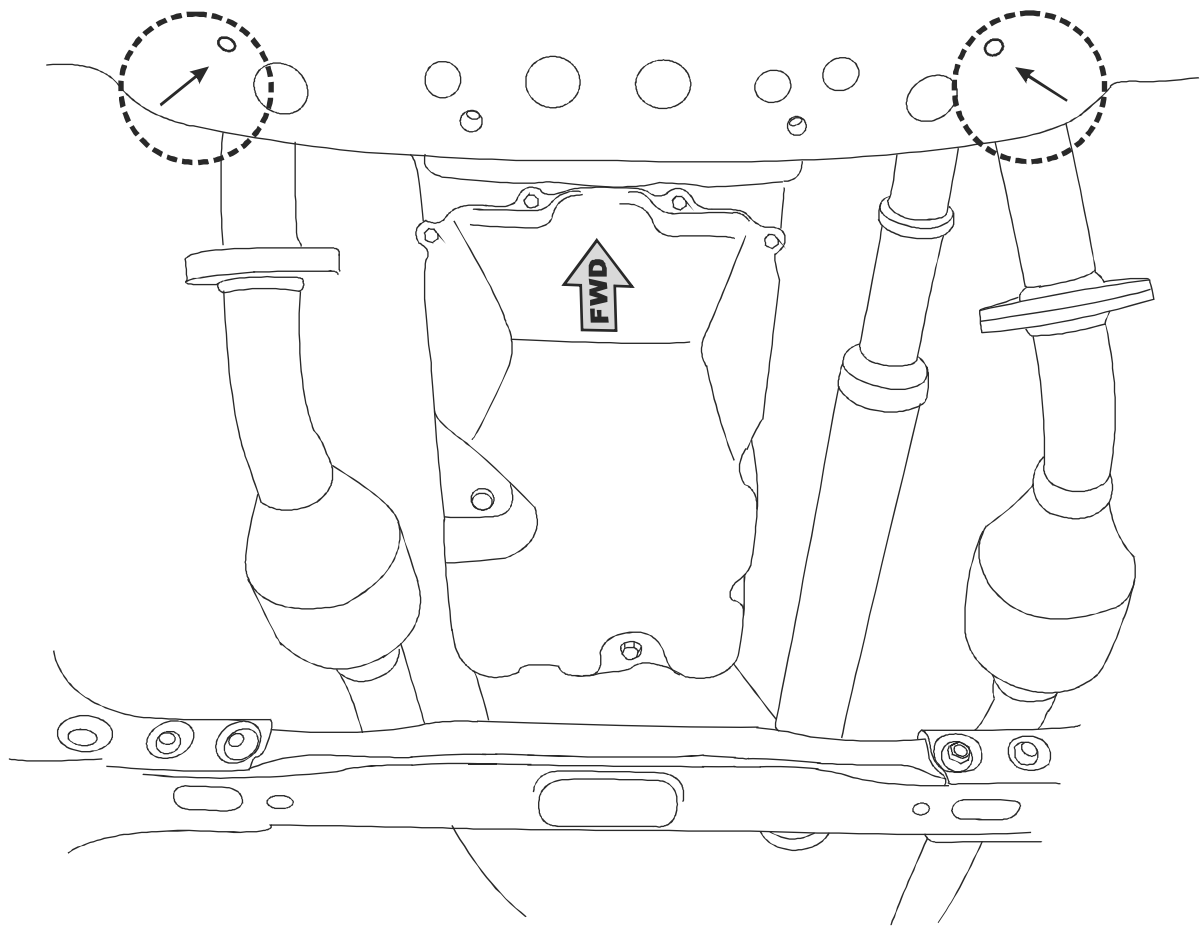
2 x M 10x 30



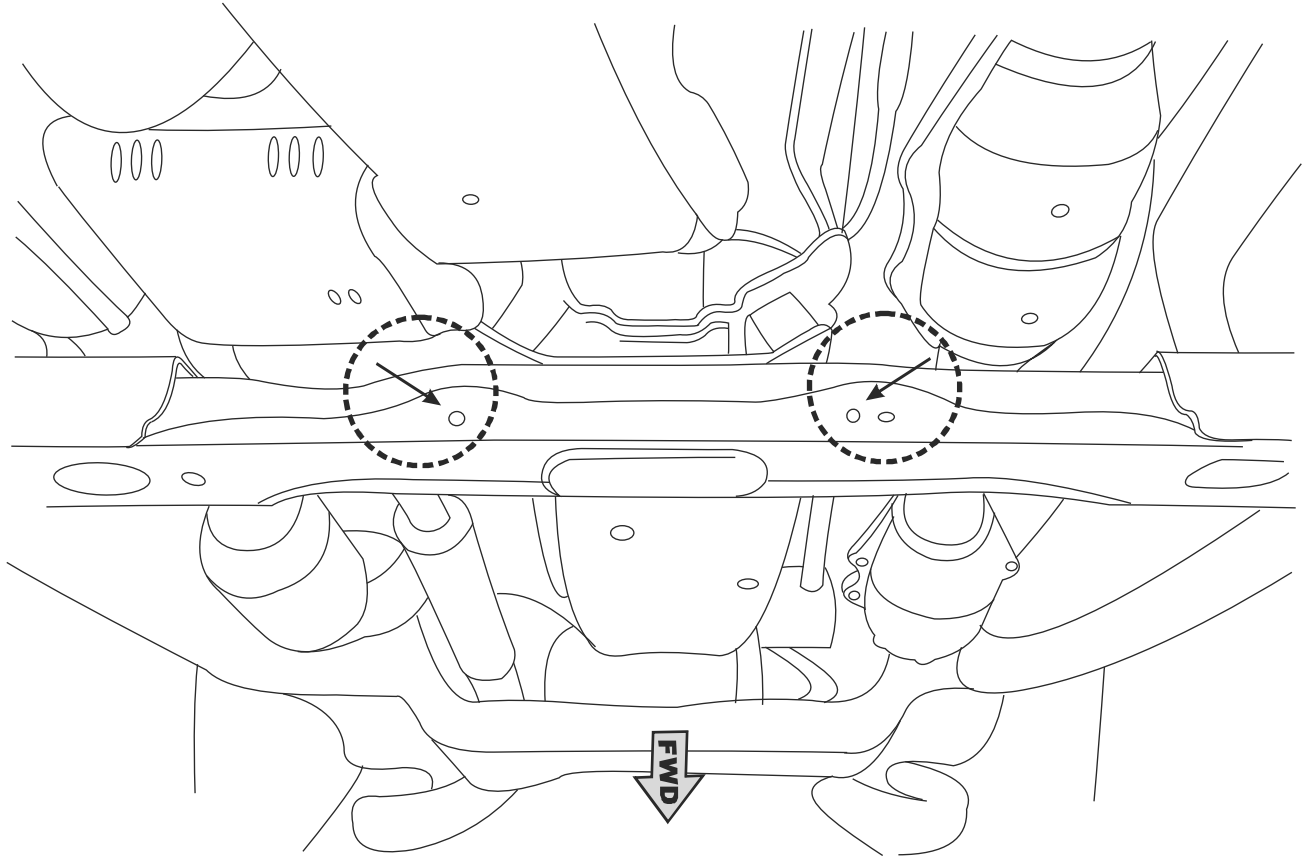
Part number:
IUP004T

Page:
2/4

1



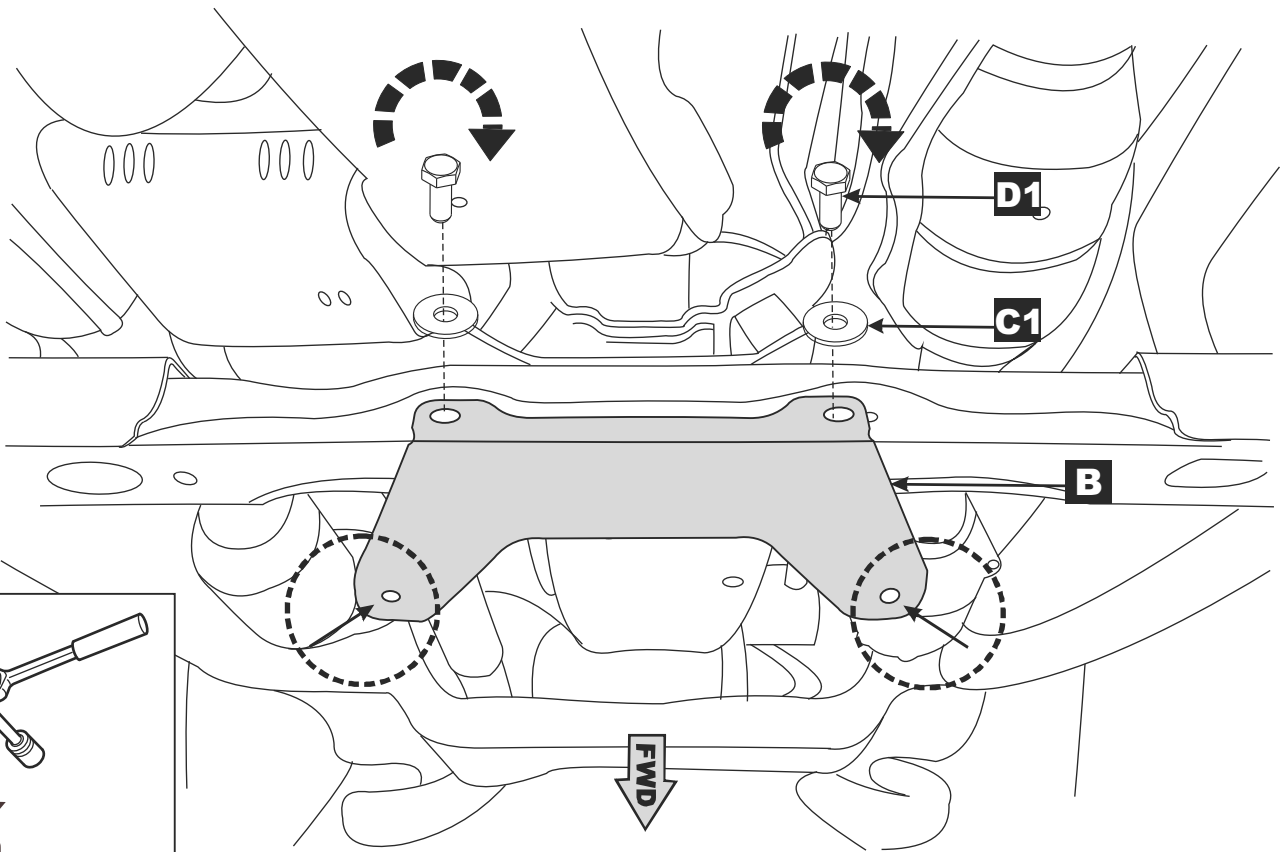
2



Part number:
IUP004T

Page:
3/4

3



4

